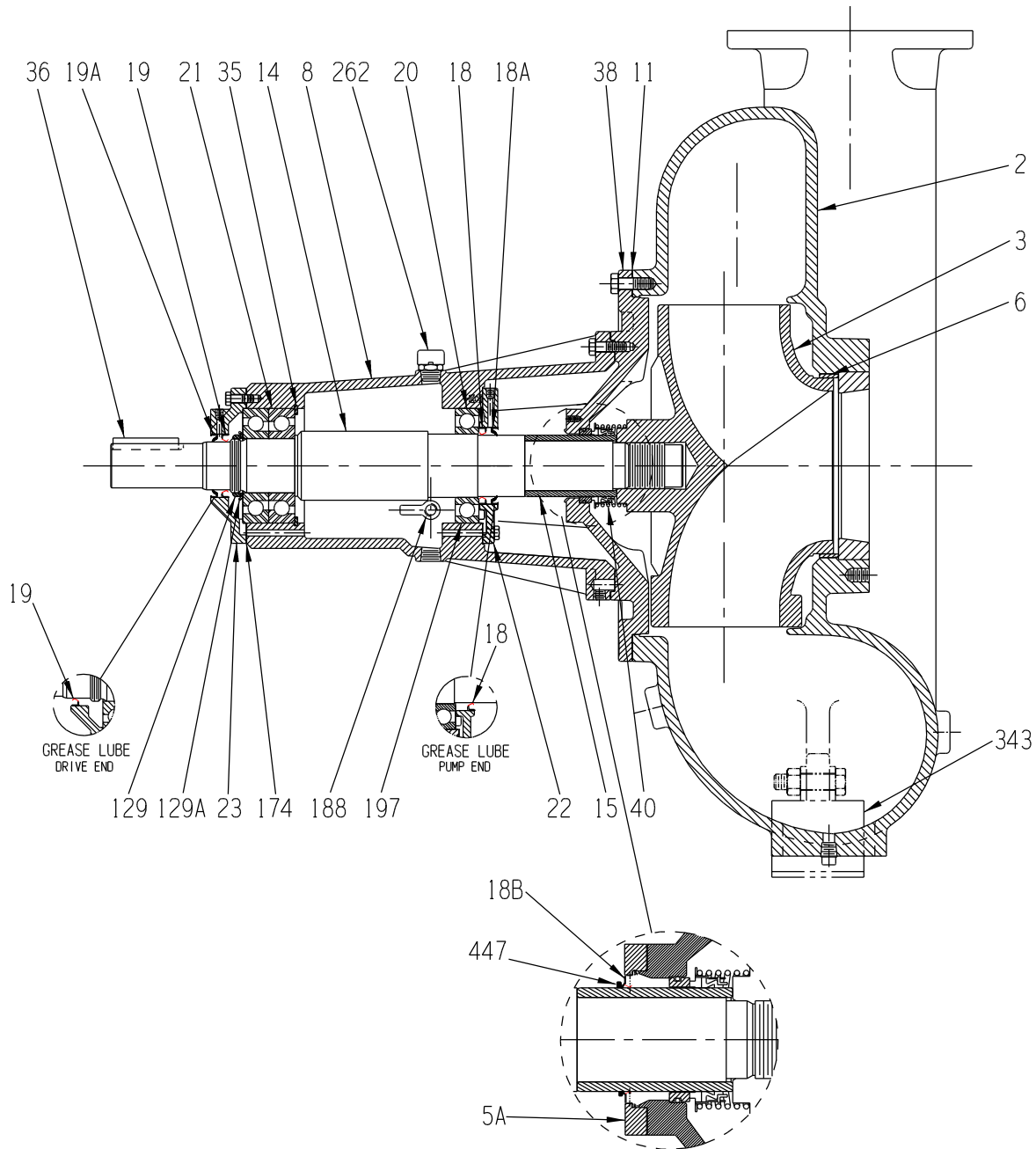


PARTS LIST

- 2. VOLUTE
- 3. IMPELLER
- 5A. RUN DRY GLAND
- 6. SUCTION WEAR RING
- 8. FRAME
- 11. VOLUTE GASKET
- 14. SHAFT
- 15. SHAFT SLEEVE
- △ 18. LIP SEAL (P.E.)
- 18A. OUTER LIP SEAL (P.E.)
- △ 18B. LIP SEAL (RUN-DRY)
- 19. LIP SEAL (D.E.)
- 19A. OUTER LIP SEAL (D.E.)
- 20. PUMP END BEARING
- 21. DRIVE END BEARING (2)
- 22. BEARING COVER (P.E.)
- 23. BEARING COVER (D.E.)
- 35. INTERNAL SNAP RING
- 36. DRIVE END SHAFT KEY
- 38. BACKPLATE
- 40. MECHANICAL SEAL
- 94. CLEAN OUT COVER (OPTIONAL NOT SHOWN)
- 129. LOCK NUT
- 129A. LOCK WASHER
- △ 174. BEARING COVER GASKET (D.E.)
- △ 188. OIL LEVEL SIGHT GAUGE
- △ 197. BEARING COVER GASKET (P.E.)
- 216. VOLUTE CLEANOUT COVER GASKET (OPTIONAL NOT SHOWN)
- 262. BREATHER
- 343. PUMP SUPPORT ASSEMBLY
- 447. V-RING



△ USED ON OIL LUBE FRAMES ONLY

RUN-DRY OPTION

OIL LUBRICATED SHOWN



**CORNELL PUMP COMPANY**

MODEL : 10NHPP WITH CYCLOSEAL  
F12 (GREASE LUBE) / F12K (OIL LUBE) HORIZONTAL FRAME